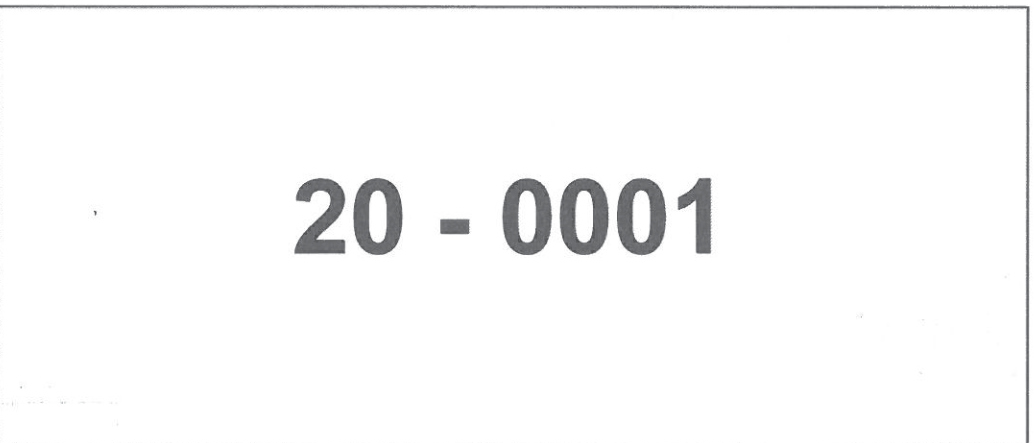


Front Page

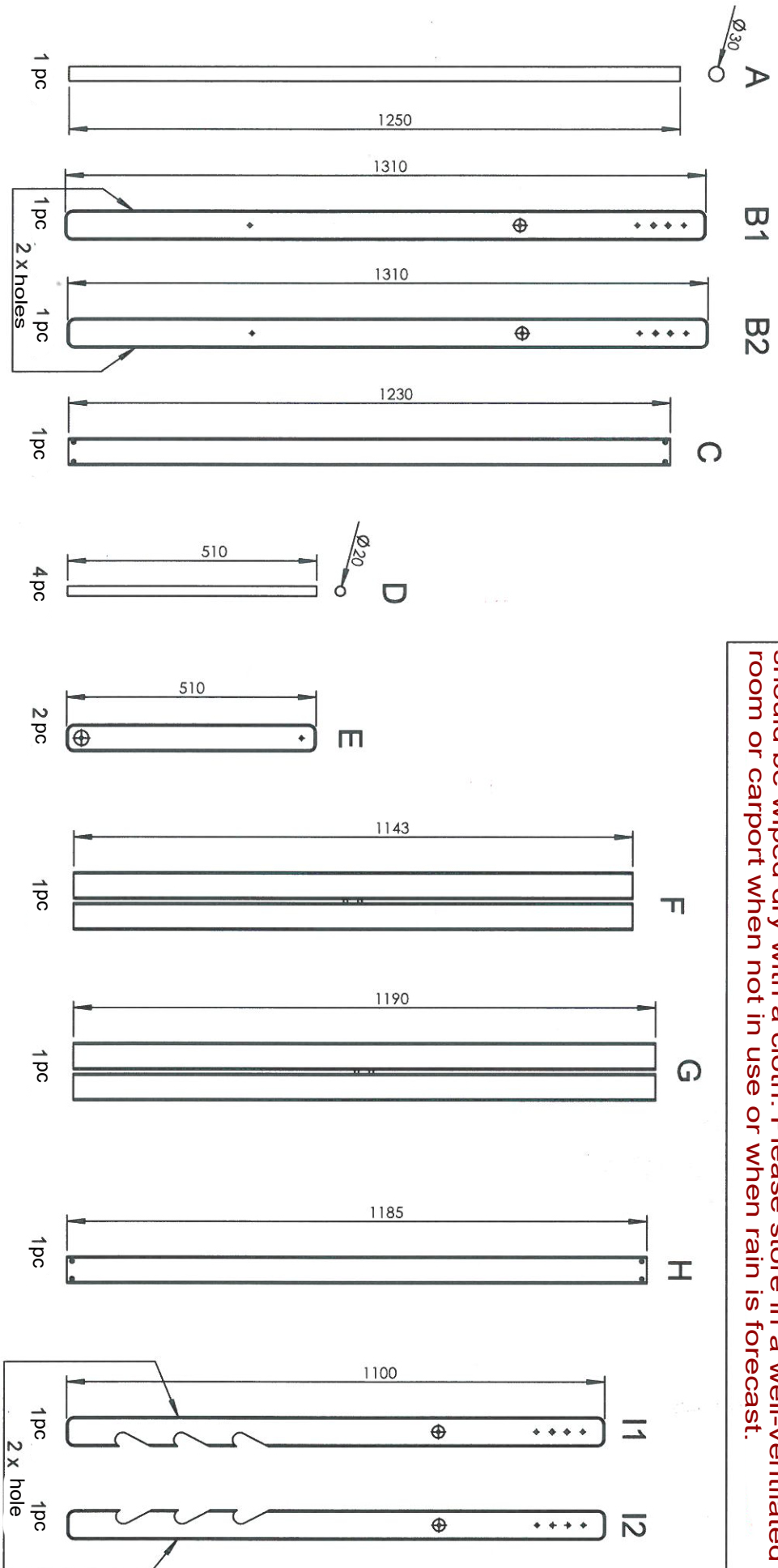


Back Page

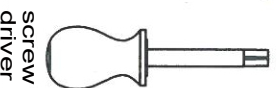
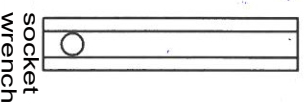
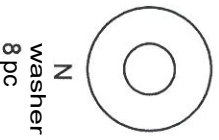
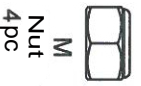
3 cm

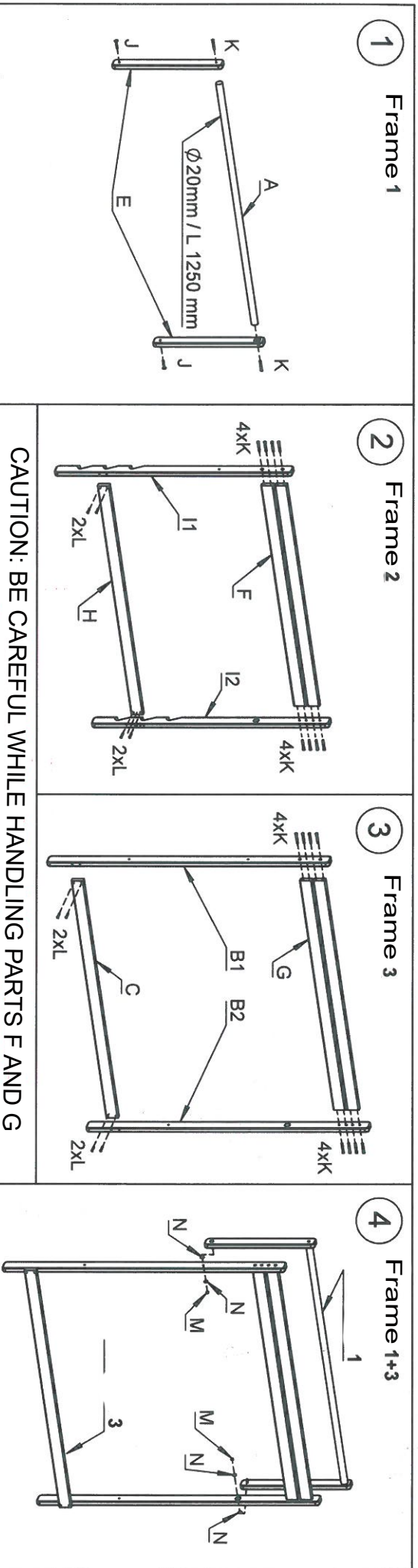
7 cm

CAUTION: Deckchairs that have become wet (in the rain, for example) should be wiped dry with a cloth. Please store in a well-ventilated room or carport when not in use or when rain is forecast.



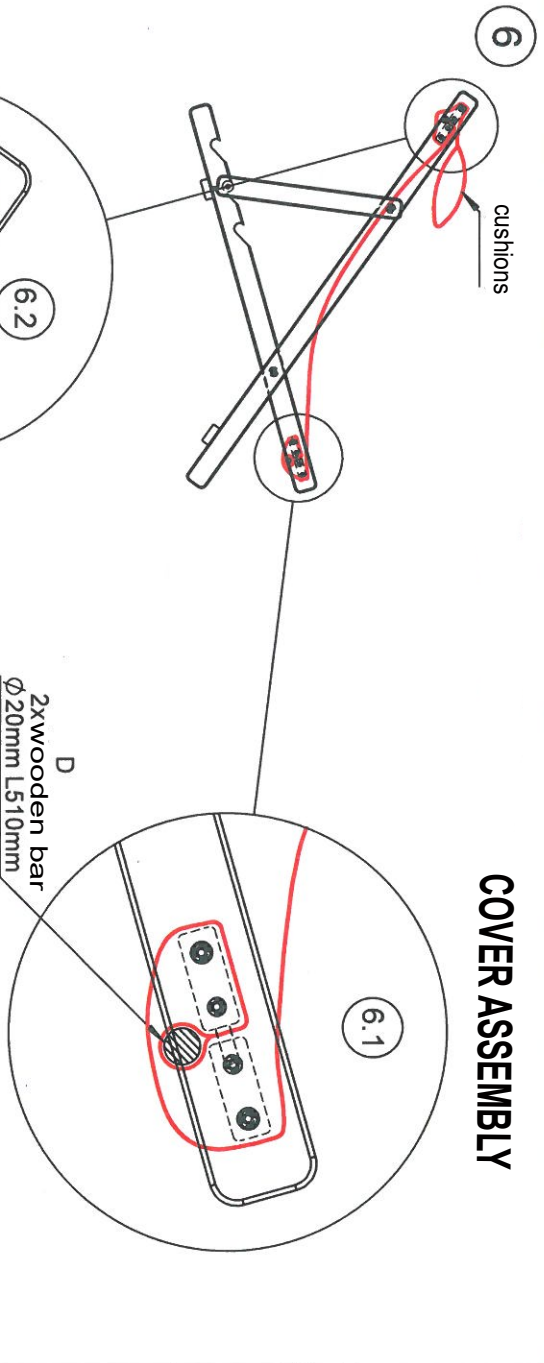
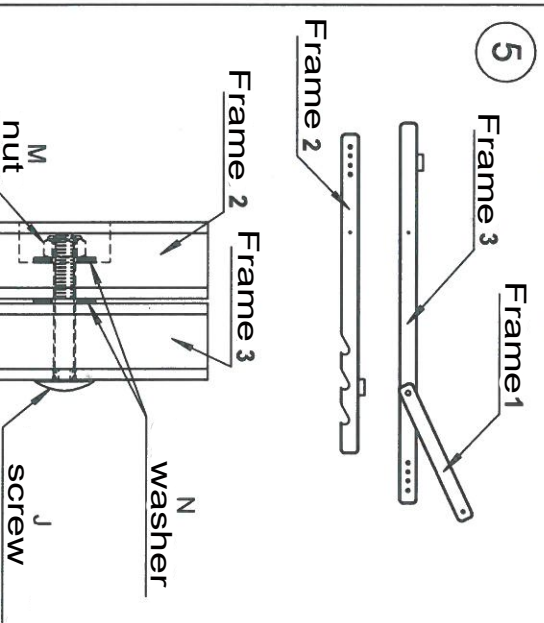
Rastening Hardware





CAUTION: BE CAREFUL WHILE HANDLING PARTS F AND G

COVER ASSEMBLY



Order of assembly: Place the screws J in Frame 3 on both sides in such a way that the thread is 2-3mm above the wood. Place two washers precisely over the holes. Stick the screws through and hammer them in such that the screw head rests above the wood. Add the washer and nut



KONTUR
DESIGN & PRODUKTION

Instruction for assembly - Deckchair for Two